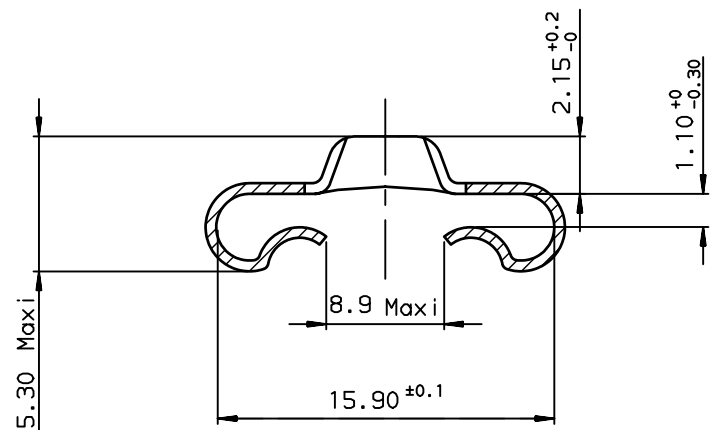
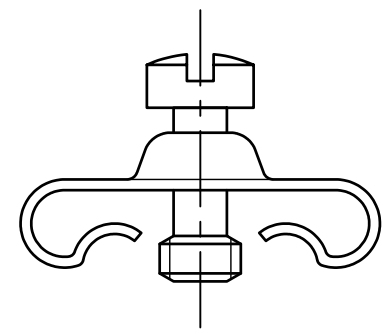


NOTES

Pieces assembly  
 Packaging : per 100 piece  
 Material : steel  
 Plating : yellow chromate cadmium  
 Thread : UNC 4.40

VIEW ASSEMBLY



Part Number 8630-03A

European Views

www.fciconnect.com		surface ISO 1302	<input checked="" type="checkbox"/>	tolerance std ISO 406 ISO 1101	projection 	mm
TOLERANCES UNLESS OTHERWISE SPECIFIED						
Dr	JOUBERT	1998/03/27	ANGULAR	0.X ±0.1	size A3	Scale 5
Eng	-	-	LINEAR	0.XX ±0.1	ECN	LS07-0001
Chr	-	-	0.XX' ±2'	0.XXX ±0.1	Spec ref	-
Appr	-	-	Product family	D-SUB		
FCJ		titre ETRIER DE FIXATION POUR BOITIER FEMELLE 50PTS			dwg no C01-8655-0710	Rev. C
catalog no		-			CUSTOMER	sheet 1 of 1

rev	ecn no	dr	date
A	-	SJO	1998/03/27
B	LS06-0101	MPE	2006/06/27
C	LS07-0001	MPE	2007/01/02
-	-	-	-
-	-	-	-
-	-	-	-